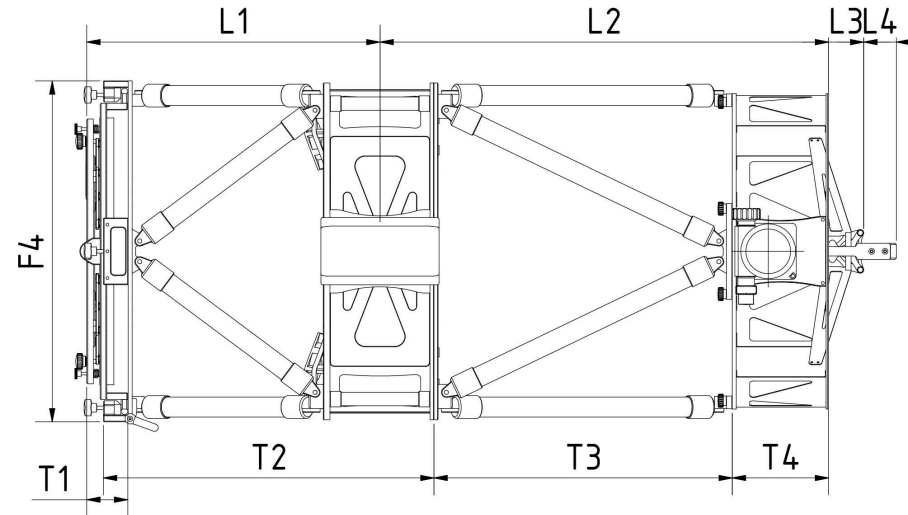
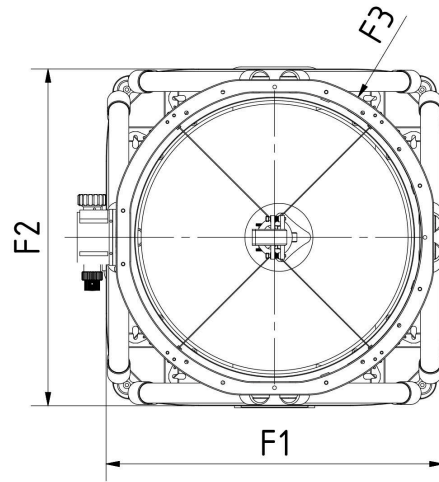


# Main dimensions Travel-Version



	D 355mm			D 400mm			D 460mm			D 535mm		D 600mm
	f/2,95	f/3,3	f/4	f/3,1	f/3,3	f/4	f/2,9	f/3,4	f/4	f/3,3	f/4	f/3,6
F1 = F2	460x460			505x505			570x570			650x650		730x730
F3	Ø445			Ø490			Ø550			Ø625		Ø705
F4	465x465			510x510			575x575			660x660		740x740
L1	325	370	440	370	440	525	340	430	540	435	535	515
L2	465	515	630	625	670	865	655	795	960	1090	1360	1380
L3	55	52	40	55	52	46	65	55	52	65	52	65
L4	52	47	37	52	47	42	60	52	47	60	47	60
T1	60			60			65			65		70
T2	380	425	495	425	495	580	390	480	590	485	585	560
T3	260	310	425	420	465	660	470	610	775	905	1175	1195
T4	150			150			170			170		170
Mass	21kg			26kg	25kg		36kg	35kg		47kg		61kg

The dimensions L1/T2 and L2/T3 are to be understood as nominal dimensions. Production-related deviations due to focal length tolerance (see homepage -> parabolic mirrors) should be taken into account and will be communicated by me before completion.