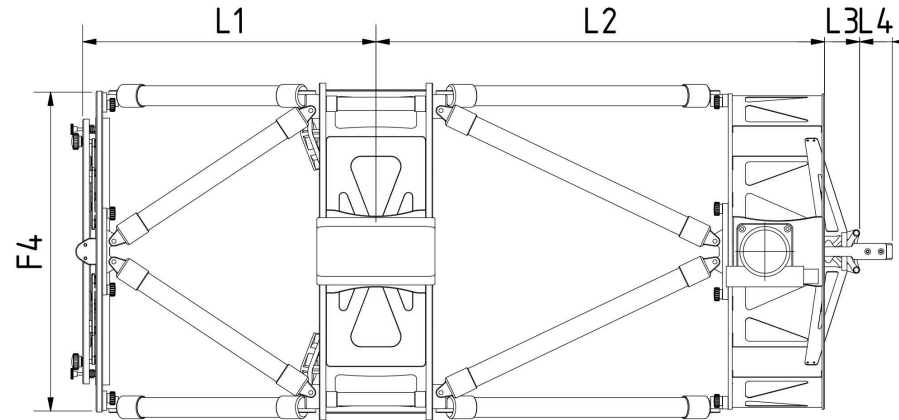
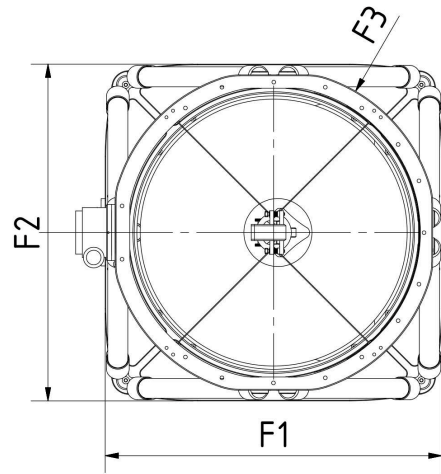


Main dimensions Standard-Version



| | D 355mm | | | D 400mm | | | D 460mm | | | D 535mm | | D 600mm |
|---------|---------|-------|-----|---------|-------|-----|---------|-------|-----|---------|------|---------|
| | f/2,95 | f/3,3 | f/4 | f/3,1 | f/3,3 | f/4 | f/2,9 | f/3,4 | f/4 | f/3,3 | f/4 | f/3,6 |
| F1 = F2 | 460x460 | | | 505x505 | | | 570x570 | | | 650x650 | | 730x730 |
| F3 | Ø445 | | | Ø490 | | | Ø550 | | | Ø625 | | Ø705 |
| F4 | Ø437 | | | Ø482 | | | Ø545 | | | Ø617 | | Ø700 |
| L1 | 325 | 370 | 440 | 370 | 440 | 525 | 340 | 430 | 540 | 435 | 535 | 515 |
| L2 | 465 | 515 | 630 | 625 | 670 | 865 | 655 | 795 | 960 | 1090 | 1360 | 1380 |
| L3 | 55 | 52 | 40 | 55 | 52 | 46 | 65 | 55 | 52 | 65 | 52 | 65 |
| L4 | 52 | 47 | 37 | 52 | 47 | 42 | 60 | 52 | 47 | 60 | 47 | 60 |
| Mass | 19kg | | | 24kg | 23kg | | 33kg | 32kg | | 44kg | | 57kg |

The dimensions L1/T2 and L2/T3 are to be understood as nominal dimensions. Production-related deviations due to focal length tolerance (see homepage -> parabolic mirrors) should be taken into account and will be communicated by me before completion.